

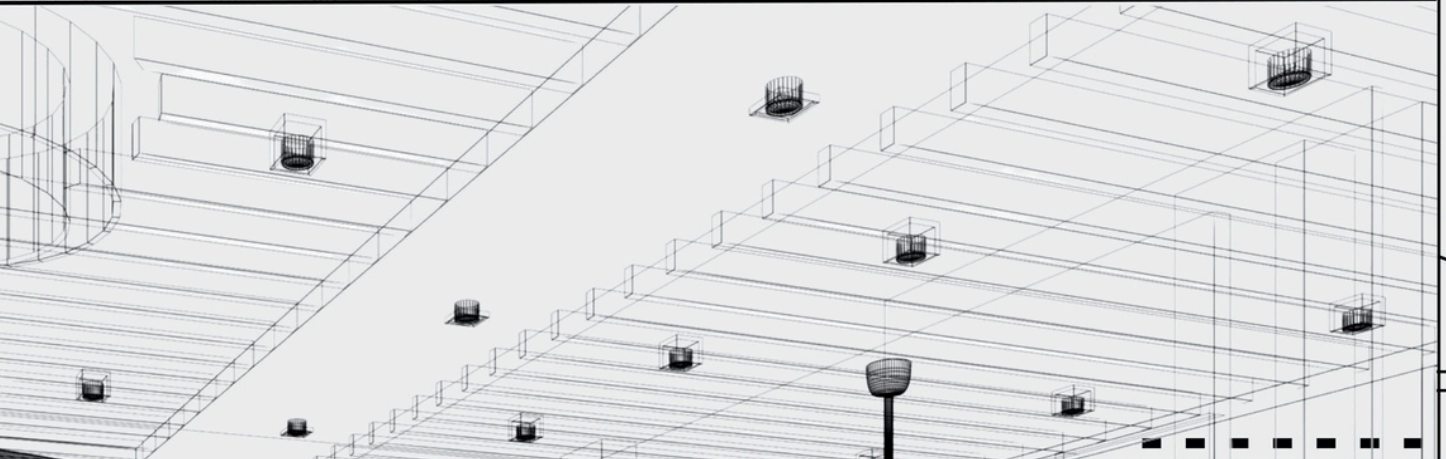
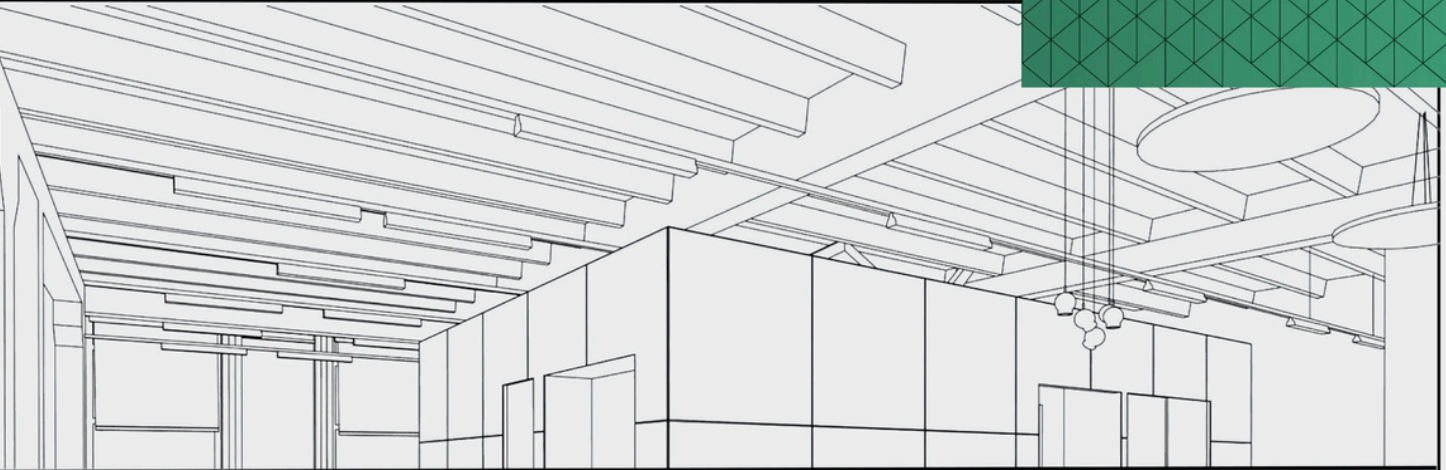
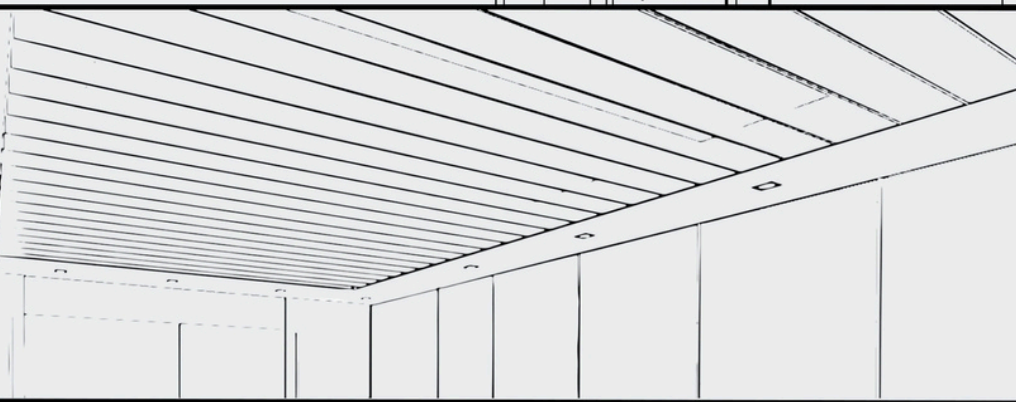
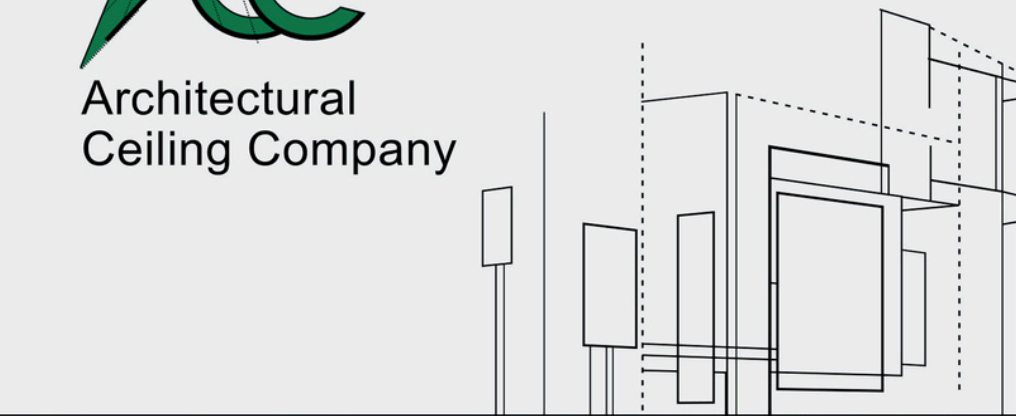


Architectural
Ceiling Company

METAL CEILING

LUXURY CEILING

METAL LOUVRE



About Us

Welcome to Architectural Ceiling Company

Metal is versatile, fluid and can be moulded into infinite possibilities. For us, Ceilings and Facades provide a canvas to every space - they don't just add personality & finesse but also create a safe heaven.

We understand Metal Ceilings and facades in every form and push boundaries to help bring an artist's vision to life.

We believe in creating bespoke Ceilings and Facades that are functional, backed by industry expertise and manufactured at a best-in-class facility.

Our Expertise

Architects, Builders, Developers, & Designers persistently push boundaries to transform their ground-breaking ideas and renderings to life.

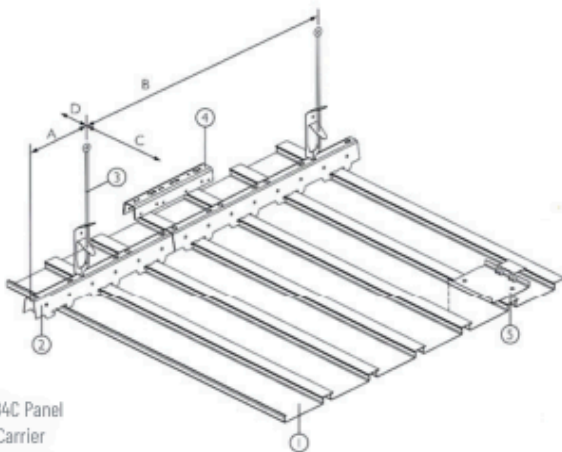
Architectural Ceiling Company steps in to fill in the blanks, bridging the void between customized design and traditional manufacturing, to nurture a new level of comprehensive caliber.

Customer satisfaction is our primary intent. With spick-and-span assured excellence, our methods keep your approved design within budget and on schedule. Our in-house creative team strive to arrive at solutions that fit the project requirements and provide systems and products with guaranteed long life and performance.

We hold every designer/architect's idea and concept with tangible intent. At the same time, our team ripens the most essential parameters by delivering options on modifying to achieve a detailed design aesthetic, the budget, standard acoustic rating and for project-specific conditions.

Most of our solutions are centered on speedy installations. Shorter Time Leads to Lower Overall Cost.

LINEAR 60C/ 84C/184C/284C



1. 84C Panel
2. Carrier
3. Hanger
4. Carrier Splice
5. Panel Splice



Perforation:

Perforation:- 2mm dia 5mm pitch dialouge pattern. 2mm dia 5mm pitch Regular Pattern.

Material:

0.45/0.50mm Galvanised Steel & 0.50 / 0.65 mm Aluminium TCT.

Panels:

Square edge 60mm/84mm/184mm/284mm wide, 15mm deep, length upto 3 meters

Linear multi C closed Ceiling system consisting of 60mm / 84mm / 184mm / 284mm white square shaped panels which can be easily clipped on to a carrier. The panels have a 25mm white flange that closes - off the 16mm joint between the panels. A wide choice of colours and finishes are available. Panels can be perforated for enhanced acoustics.

Applications:

Passages, Balconies, Lift Lobbies, Bathroom, Wall cladding

Carrier:

20mm wide, 45mm deep of 0.50mm / 0.60mm thick black coil coated Galvanised Steel to hold Panel in module of 100mm / 200mm

Paint Finish:

60 microns thick powder coating on exposed surface or 25 microns polyester coil coated over primer on visible surface with primer coat on rear side.

Suspension:

4mm dia Galvanised Rod,height adjustment Spring Steel Big clip, Panel coupler, GS/Aluminium Edge Profile 18mm (Horizontal) 20mm (Vertical).

OUR VISION

“ Building With Excellence
Serving With Integrity ”

WHY METAL?

As a ceiling fabricator, we are often asked why we concentrate on metal as Ceiling & Louvre. The answer is simple

1. Steel & Aluminum are two of the most sustainable materials used in construction.
2. Metal is high quality material offering improved aesthetic through design flexibility
3. Highly durable and robust, metal maintains its appearances long after other materials need replacing
4. Long term, metal is far more cost effective than alternative materials

CONTACT US



Architectural
Ceiling Company

METAL CEILING | LOUVRE | LUXURY CEILING

Parekh House | 2nd Floor | 161 Lenin Sarani Kolkata 700013

Ph: +91 9073705478 | +91 9748418762

Email : sales@theceiling.in | www.theceiling.in